

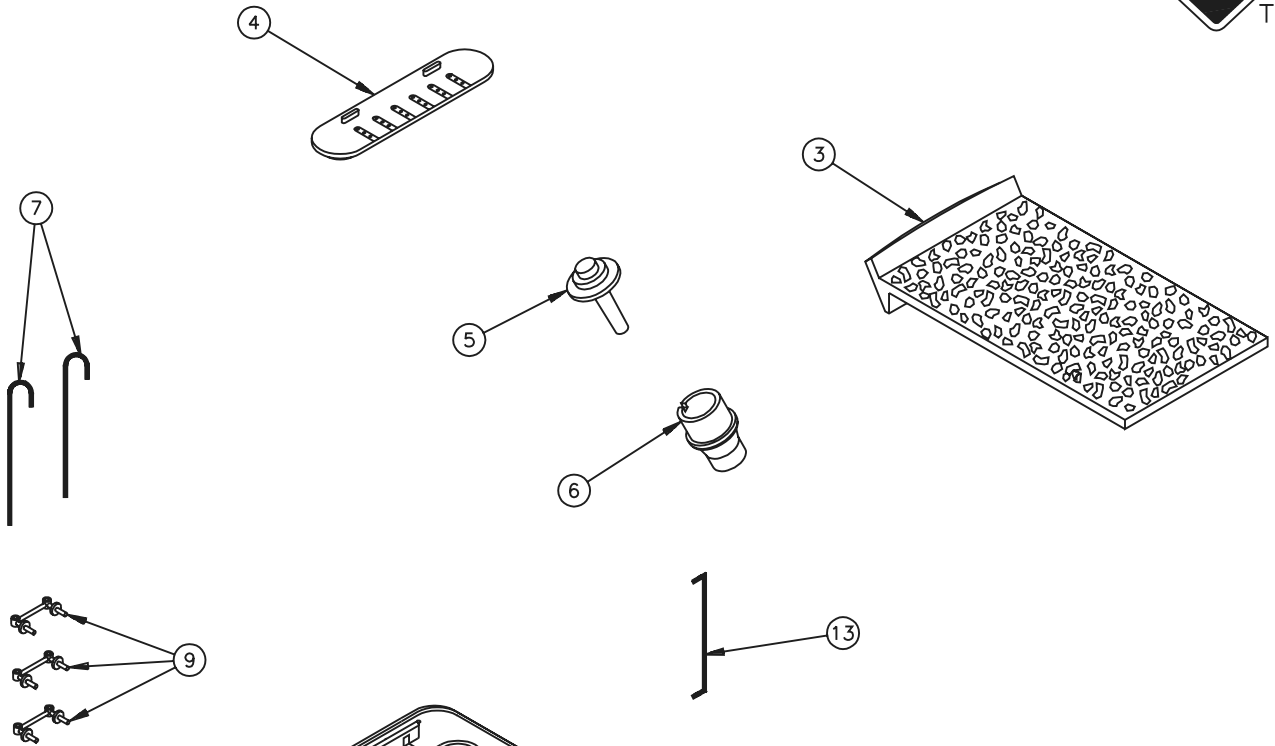
ART-21800 SERIES LONG TENDER

ASSEMBLY INSTRUCTIONS

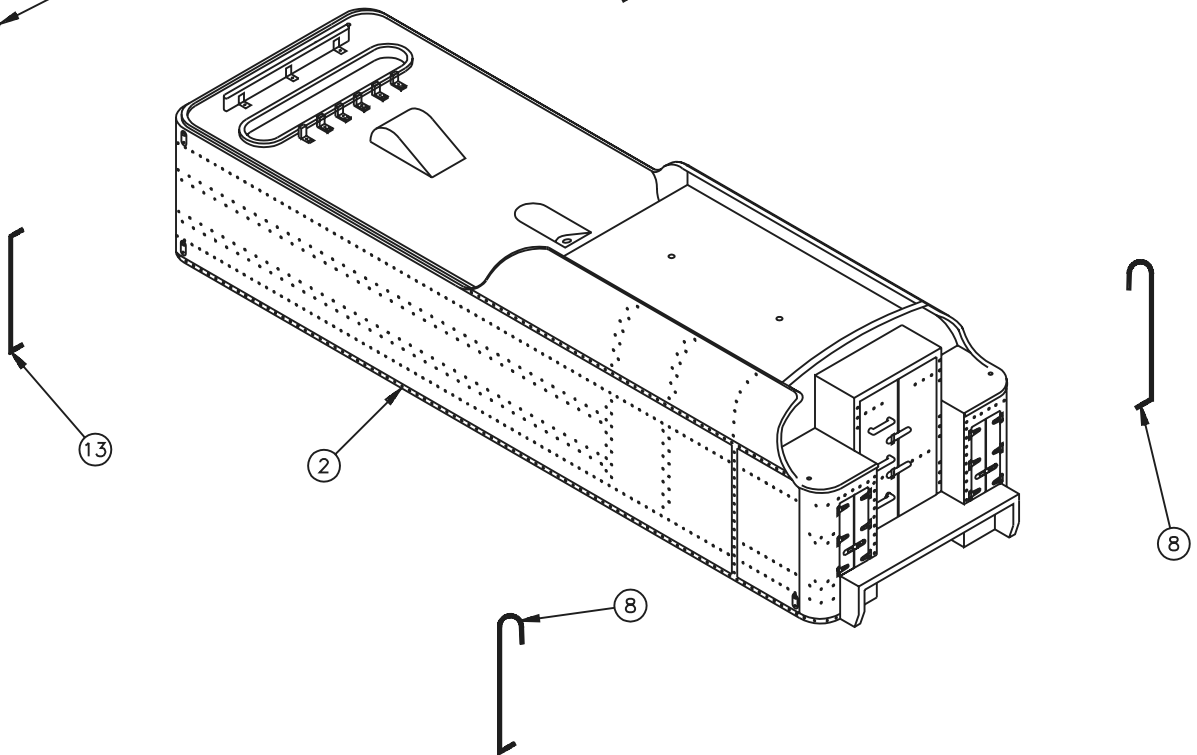


in drawings may differ from two digits of part number.

+

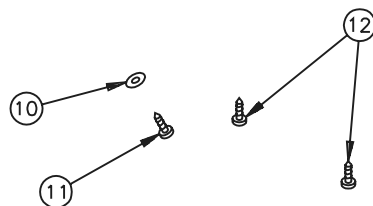


+



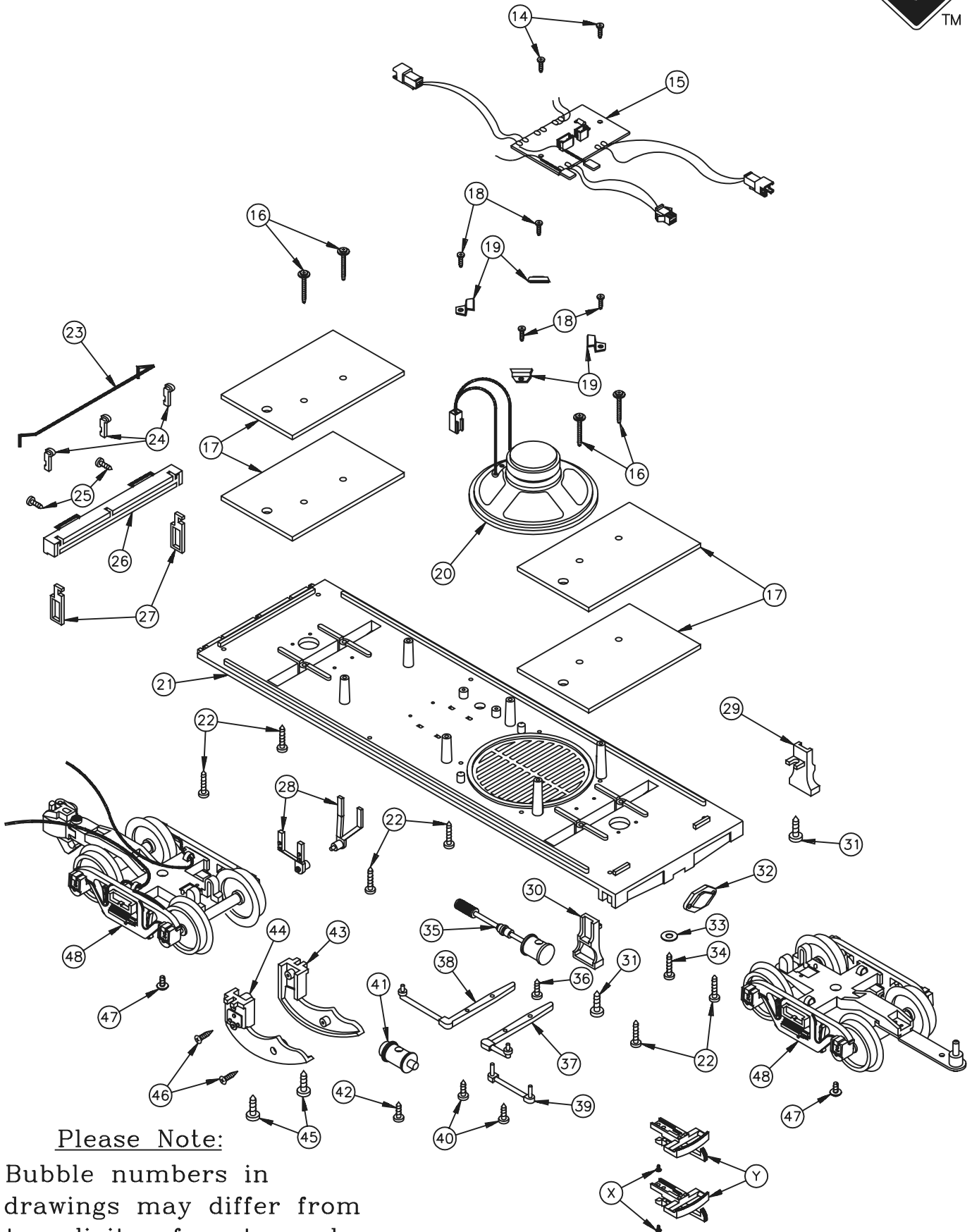
+

Please Note:
Bubble numbers in drawings may differ from two digits of part number.



ART-21800 SERIES LONG TENDER

ASSEMBLY INSTRUCTIONS



Please Note:

Bubble numbers in drawings may differ from two digits of part number.

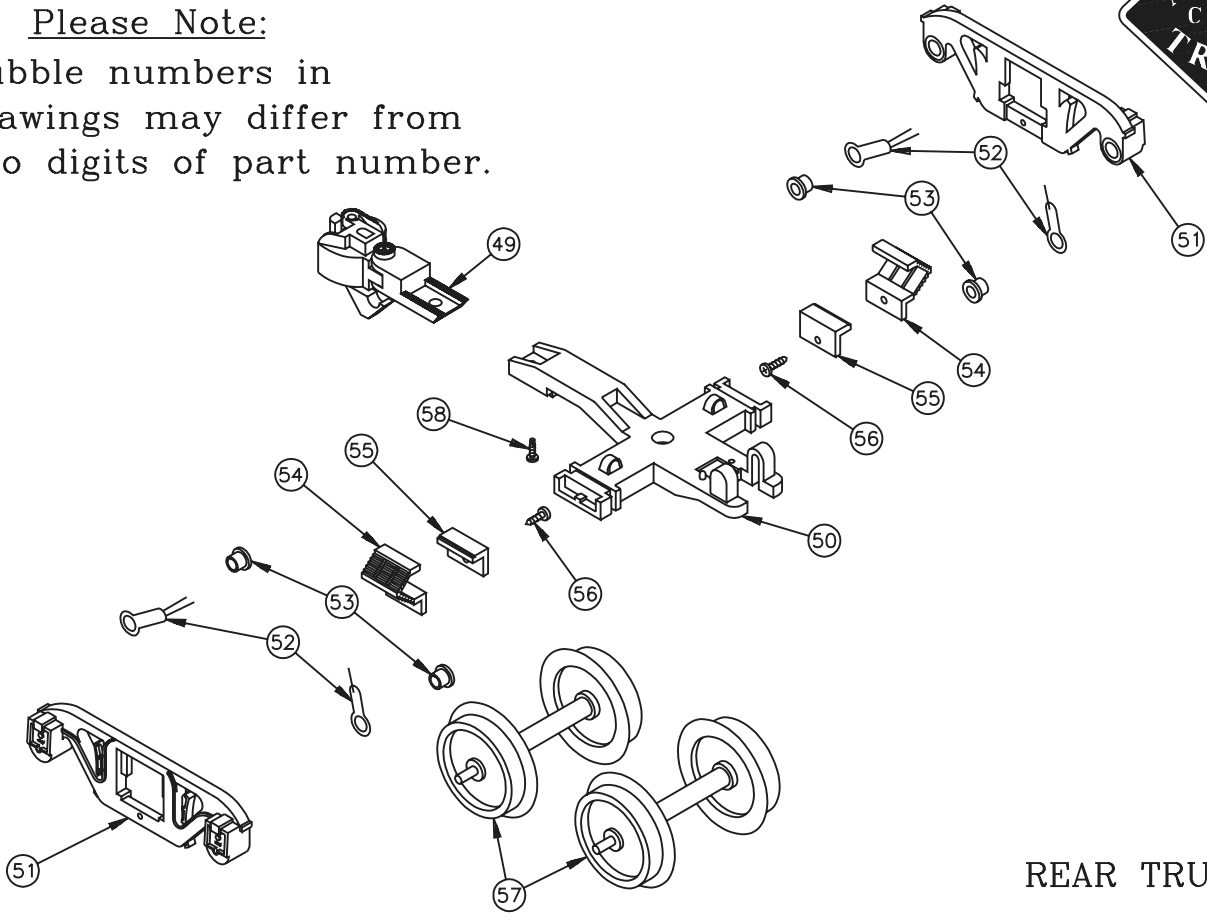
ART-21800 SERIES LONG TENDER

ASSEMBLY INSTRUCTIONS



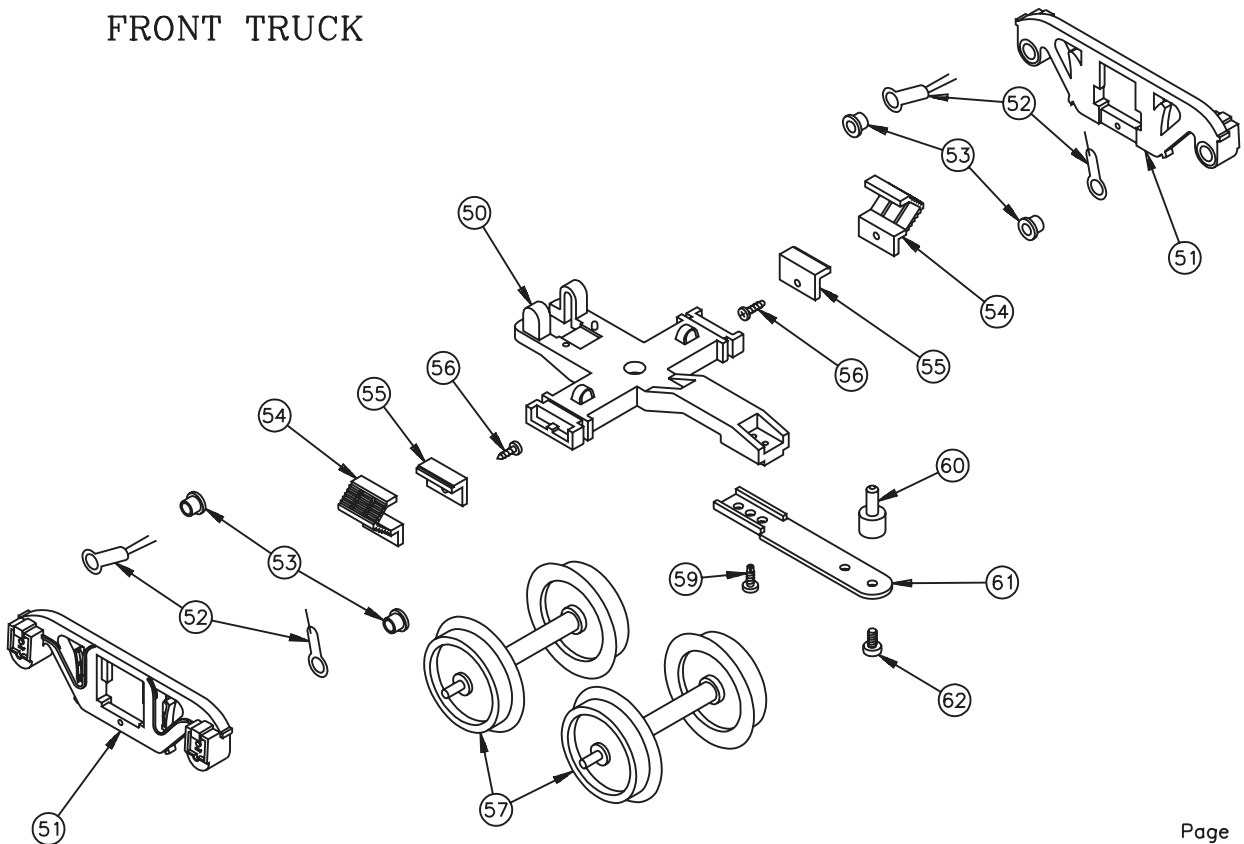
Please Note:

Bubble numbers in drawings may differ from two digits of part number.



REAR TRUCK

FRONT TRUCK



ART-21800 SERIES LONG TENDER

PARTS LIST-ORDER FORM



SPECIFY ROADNAME/ART#: _____ Insert Quantity

Part #	Description *	Price	Quantity Ordered
① 21800-01	Instruction Manual		
② 21800-02	Shell		
③ 21800-03	Coal Load		
④ 21800-04	Water Fill Hatch		
⑤ 21800-05	Pusher Top		
⑥ 21800-06	Pusher Barrel		
⑦ 21800-07	Rear Ladder		
⑧ 21800-08	Forward Grab Iron		
⑨ 21800-09	Rear Ladder Rung		
⑩ 21800-10	Washer		
⑪ 21800-11	Pusher Screw		
⑫ 21800-12	Coal Load Screw		
⑬ 21800-13	Rear Grab Iron		
⑭ 21850-14	Circuit Board Screw		
⑮ 21850-15	Circuit Board		
⑯ 21800-17	Body Weight Screw		
⑰ 21800-16	Body Weight		
⑱ 21800-23	Speaker Hold Down Screw		
⑲ 21800-22	Speaker Hold Down		
⑳ 21800-20	Speaker		
㉑ 21800-14	Chassis		
㉒ 21800-15	Shell Screw		
㉓ 21800-28	Coupler Unlatch Bar		
㉔ 21800-27	Coupler Unlatch Bar Holder		
㉕ 21800-26	Rear Sill Screw		
㉖ 21800-24	Rear Sill		
㉗ 21800-25	Rear Step		
㉘ 21800-33A	Water Scoop Linkage - pair		
㉙ 21800-29	L.H. Forward Step		
㉚ 21800-30	R.H. Forward Step		
㉛ 21800-31	Forward Step Screw		
㉜ 21800-32	Automatic Stoker Cover		
㉝ 21800-69	Wire Retaining Washer		
㉞ 21800-70	Wire Retaining Screw		
㉟ 21800-34	Brake Reservoir and Action Bar		
㊱ 21800-35	Brake Reservoir and Action Bar Screw		
㊲ 21800-37	Forward Brake Linkage		
㊳ 21800-36	Rear Brake Linkage		
㊴ 21800-38	Brake Linkage Connecting Rod		
㊵ 21800-39	Brake Linkage Screw		
㊶ 21800-40	Reservoir		
㊷ 21800-41	Reservoir Screw		
㊸ 21800-42	L.H. Water Scoop		
㊹ 21800-43	R.H. Water Scoop		
㊺ 21800-45	Water Scoop Mounting Screw		
㊻ 21800-44	Water Scoop Retainer Screw		
㊼ 21800-48	Truck Bolster Screw		
㊽ ART-29108	Truck - pair (excludes Coupler & Draw Bar)		
㊾ ART-29200	Knuckle Coupler - pair		
㊿ 21800-51	Bolster		
1 21800-52	Side Frame		
2 21800-53	Conductors		
3 21800-54	Bushing		
4 21800-55	Spring		
5 21800-56	Spring Mount		
6 21800-57	Spring Mount Screw		
7 21800-60	Wheel		
8 21800-65	Coupler Screw		
9 21800-68	Draw Bar Retaining Screw		
0 21800-61	Draw Bar Pin		
1 21800-62	Draw Bar		
2 21800-63	Draw Bar Pin Retaining Screw		
3 21800-64	Mounting Screw		
4 29101-99	Plastic Loop/Hook Coupler		
5 21800-99	Parts List - Order Form		

* one piece unless otherwise noted

RETURN THIS FORM WITH YOUR ORDER

NOTE: When ordering replacement parts or a repair request, please refer to proper 5 or 7 digit number listed. All parts are undecorated. Not all parts are available. Prices are subject to change without notice. Some parts shown may not exist on model or roadname. FOR ALL LONG TENDERS, 21800-PLUS 2 digit number should be used to denote specific part, i.e. 21800-03 COAL LOAD. Please NOTE: Bubble numbers in drawings may differ from two digits of part number.

In addition to Price Each shown please enclose... \$5.00 shipping/handling if part order is less than \$10.00 or \$10.00 shipping/handling if part order is \$10.00 or more.

This is for part order only. Not WARRANTY order. Include proper payment for parts plus shipping/handling with your (USA Bank Account Only) check/money order payable in US Dollars (\$) to: Polk's Hobbies. Please DO NOT SEND CASH. Sorry no C.O.D.'s for parts.

New Jersey residents add 6% NJ State Sales Tax. Be Sure to include your name, street address (no Post Office Box please), city, state (or province), country (if outside USA), and postal zip code, along with daytime phone number including Area Code, so that you may be contacted if necessary.

Not all parts available at all times. Parts requests/ orders are not back ordered. Fulfillment of orders not guaranteed.

Mail order form and payment to: ARISTO-CRAFT TRAINS/Polk's Modelcraft Hobbies, Inc. 698 South 21st Street Irvington, NJ 07111-4109 USA Allow 4-6 weeks for processing and delivery.

PLEASE PRINT CLEARLY
 NAME: _____
 ADDRESS _____
 CITY: _____ STATE: _____ ZIP _____
 PHONE: (____) - _____

CREDIT CARD INFORMATION - PLEASE CHECK ONE:
 VISA: ____ MC: ____ AMEX: ____ DISCOVER: ____
 CARD NUMBER: _____
 EXPIRATION DATE (MM/YY): ____/____